

N/D267a & N/D267as

N/DYM® Dynamic Cardioid
Vocal Microphone



Key Features:

- **VOB™ technology** provides tailored bass response for controlled “proximity effect” and exceptional vocal clarity
- **Cardioid pattern** for superior feedback rejection and acoustic isolation
- **Consistent sound** over greater working distances than competitive models
- **Neodymium based magnet structure** provides greater sensitivity and signal-to-noise ratio
- **Warm Grip™ handle** for more comfortable feel
- **On/Off switch** on N/D267as



General Description:

The acoustic response of the N/D267a and 267as presents optimal performance in a live sound environment. The new “vocally optimized bass” or VOB™ technology provides the performer with reduced resonant distortion at low frequencies. Critical damping of the low frequency resonant peak has resulted in a microphone that replaces the “muddiness” found in competitive models with greater warmth and increased vocal clarity. The increased clarity permits greater working distances than other competitive microphones, and ensures a clean, clear, consistent sound that “cuts through the mix.”

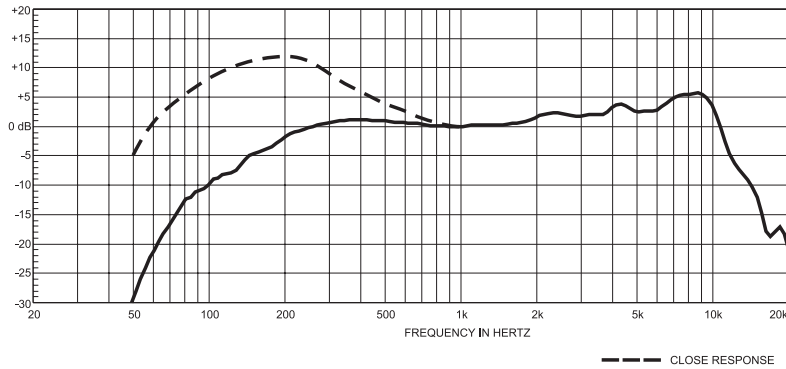
Operation

The low frequency response of the N/D267a and 267as microphone varies with the distance from the sound source. Known as “proximity effect,” maximum bass response is produced in “close-up” use with the microphone 1/4 inch from the sound source. Normal bass response is experienced with working distances greater than 24 inches. Working close to the microphone will produce a more robust sound. Close up positioning of the microphone will also reduce the potential for feedback from the sound reinforcement system. When close-talked, the bass-boost provides an increase in overall microphone output level. The mixer gain may be proportionately reduced, resulting in a reduction of the system’s sensitivity to feedback caused by sound entering the microphone from the loudspeakers.

Technical Specifications:

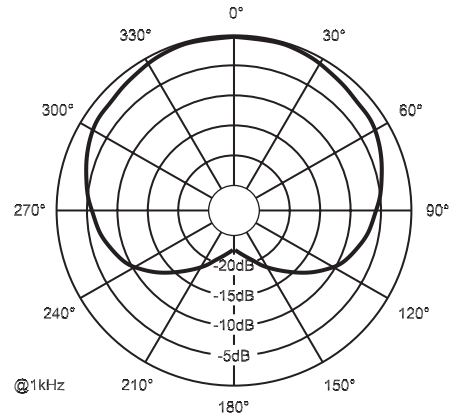
Element:	Dynamic N/DYM® magnet structure
Freq. Response, Close:	45 Hz - 15,000 Hz
Freq. Response, Far:	100 Hz - 15,000 Hz
Polar Pattern:	Cardioid
Sensitivity, Open Circuit Voltage @ 1 kHz:	2.9 mV/pascal
Polarity:	Pin 2 positive, ref. pin 3 with positive pressure on diaphragm
Impedance:	600 ohms balanced (low-z)
Microphone Connector:	3-pin, XLR-type
Finish:	Non-reflecting black
Materials:	Memraflex™ grille screen Warm Grip™ handle
Accessories Included:	Stand Adapter (Black) Soft Zippered "Gig" Bag
Dimensions, Length:	7.12" (181 mm)
Diameter:	2.05" (52 mm)
Shank:	0.80" (20 mm)
Net Weight:	8.4 oz (238 g)
Shipping Weight:	18.2 oz (515 g)

Frequency Response:



Polar Response:

(5 dB per division)
— 1000 Hz



Microphone Use and Placement

Please note that micing techniques are a matter of personal preference. These are merely guidelines to assist in the placement of the microphone to gain optimal performance.

Usage

Vocals

Spoken Word

Optimal Placement

Zero to six inches from the windscreen, and on axis with the microphone.

Five to ten inches from the windscreen, and on axis with the microphone.

Instrumental Microphone Standard Placement & Use Guidelines

1. Always point the microphone at the desired source of sound, and away from any unwanted sources.
2. The microphone should be located close to the sound source to minimize interference from other potential sound sources.
3. Use the 3-to-1 rule when using multiple microphones. Place each microphone three times farther from other microphones as from the desired sound source.
4. Minimize over-handling of the microphone to reduce unwanted mechanical noise.
5. Working close to the microphone will increase the bass tone and also provide increased gain-before-feedback.

N/D267a Part Number: 16033310
N/D267as Part Number: 16033311



12000 Portland Avenue South, Burnsville, MN 55337

Phone: 952/884-4051, Fax: 952/884-0043

www.electrovoice.com

© Telex Communications, Inc. 9/2003

Part Number 38109-829 Rev. B

U.S.A. and Canada only. For customer orders, contact Customer Service at:

800/392-3497 Fax: 800/955-6831

Europe, Africa, and Middle East only. For customer orders, contact Customer Service at:

+ 49 9421-706 0 Fax: + 49 9421-706 265

Other International locations. For customer orders, contact Customer Service at:

+ 1 952 884-4051 Fax: + 1 952 736-4212

For warranty repair or service information, contact the Service Repair department at:

800/553-5992 or 402/467-5321

For technical assistance, contact Technical Support at:

800/392-3497 or 952/736-4656

Specifications subject to change without notice.