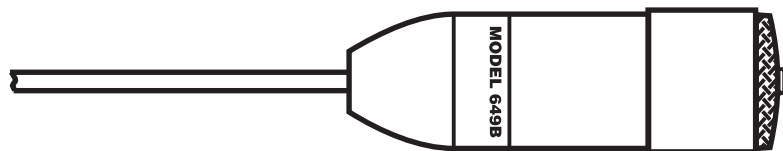


US649B DYNAMIC LAVALIER MICROPHONE

- bullet
- bullet
- bullet
- bullet



Description

The US649B lavalier microphone is a small, lightweight, dynamic microphone. The microphone can be used handheld or, when hands-free movement is desired, it can be mounted on a stand or hung on the neckcord. Included accessories are the lavalier cord assembly and belt clip. To attach the cord assembly to the microphone, press the plastic adapter onto the front of the microphone. Alternately, for semipermanent installation, the plastic adapter may be slid up the cable onto the microphone. Please note that the small flange of the plastic adapter must be positioned properly to hold the microphone.

The belt clip allows the user to position the cable neatly, and it also prevents unwanted mechanical noise from being transmitted up the cable to the microphone.

After inserting the cable into the clip (see Figure 3), simply attach it to the belt at one side. It may also be clipped onto the edge of a jacket. The microphone wiring diagram is shown in Figure 4.

Omnidirectional Microphone Advantages

The US649B's omnidirectional polar pattern

brings significant advantages in certain situations. Although directional microphones are often chosen to avoid problems with feedback, in many systems where loudspeakers are located 20 to 40 feet away from the microphone, a directional microphone will show only negligible advantages with respect to feedback over an omnidirectional microphone. This is especially true where extremely close working distances are employed, say one-eighth to six inches, the distance at which the US649B would typically be used. In addition, the omnidirectional character of the US649B will result in a smoother frequency response than you would find in a similarly priced unidirectional—an important consideration, since any roughness invites feedback. The US649B is also significantly less susceptible to p-popping and mechanical shock, and generally more rugged and roadworthy than its unidirectional counterpart.

Limited Warranty

Electro-Voice products are guaranteed against malfunction due to defects in materials or workmanship for a specified period, as noted in the individual product-line statement(s) below, or in the individual product data sheet or owner's manual, beginning

with the date of original purchase. If such malfunction occurs during the specified period, the product will be repaired or replaced (at our option) without charge. The product will be returned to the customer prepaid. **Exclusions and Limitations:** The Limited Warranty does not apply to: (a) exterior finish or appearance; (b) certain specific items described in the individual product-line statement(s) below, or in the individual product data sheet or owner's manual; (c) malfunction resulting from use or operation of the product other than as specified in the product data sheet or owner's manual; (d) malfunction resulting from misuse or abuse of the product; or (e) malfunction occurring at any time after repairs have been made to the product by anyone other than Electro-Voice Service or any of its authorized service representatives. **Obtaining Warranty Service:** To obtain warranty service, a customer must deliver the product, prepaid, to Electro-Voice Service or any of its authorized service representatives together with proof of purchase of the product in the form of a bill of sale or receipted invoice. A list of authorized service representatives is available from Electro-Voice Service at 600 Cecil Street, Buchanan, MI 49107 (800/234-6831 or FAX 616/695-4743). **Incidental and**

US649B Dynamic Omni Lavalier Microphone

US649B Dynamic Omni Lavalier Microphone

Consequential Damages Excluded: Product repair or replacement and return to the customer are the only remedies provided to the customer. Electro-Voice shall not be liable for any incidental or consequential damages including, without limitation, injury to persons or property or loss of use. Some states do not allow the exclusion or limitation of incidental or consequential damages so the above limitation or exclusion may not apply to you. **Other Rights:** This warranty gives you specific legal rights, and you may also have other rights which vary from state to state. **Electro-Voice Wired Microphones** are guaranteed against malfunction from any cause for two (2) years from the date of original purchase. In addition, the Limited Warranty for the acoustic system contained in these microphones shall apply for the life of the product, defined as a period of ten (10) years from the date that the manufacture of the specific microphone has been discontinued. Any and all active electronics incorporated in these microphones are guaranteed against malfunction due to defects in materials or workmanship for a period of three (3) years from the date of original purchase. The Limited Warranty does not extend to cables, cable connectors, or switches. Additional details are included in the Uniform

For warranty repair or service information, contact the service repair department at: 616/695-6831 or 800/685-2606.

For technical assistance, contact Technical Support at 800/234-6831 or 616/695-6831, M-F, 8:00 a.m. to 5:00 p.m. Eastern Standard Time.

Specifications subject to change without notice.

FIGURE 1—Frequency Response

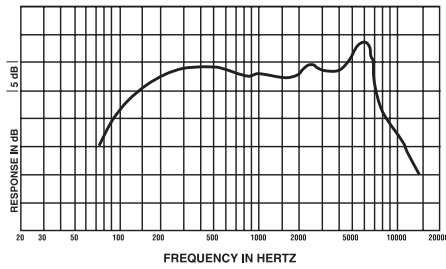


FIGURE 2—Polar Response at 1,000 Hz

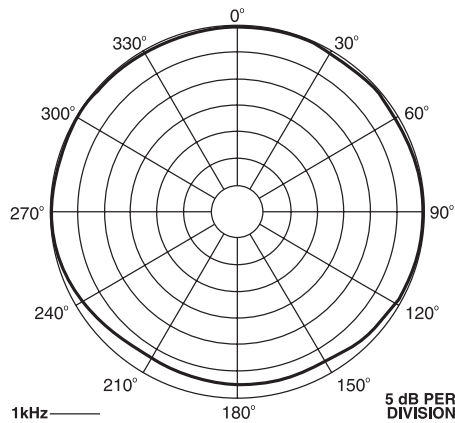


FIGURE 3—Dimensions

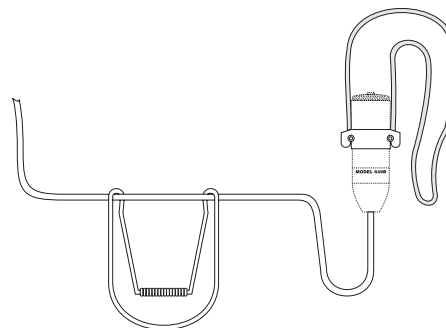
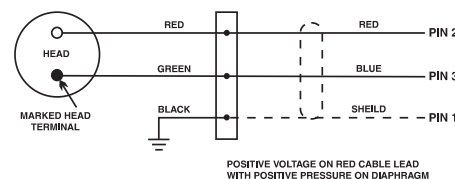


FIGURE 4—Wiring Diagram



US649B Dynamic Omni Lavalier Microphone

Specifications

Element:

Dynamic

Frequency Response (see Figure 1):

80 to 10,000 Hz

Polar Pattern (see Figure 2):

Omnidirectional

Impedance:

150 ohms (Low-Z)

Output Level:

-61 dB

(0 dB = 1 mW/10 dynes/cm²)

Finish:

Nonreflecting blue/black

Cable:

9.1 m (30 ft) two-conductor, shielded,
black synthetic rubber-jacketed cable

Accessories:

Neck cord assembly

Belt clip

Dimensions,**Length:**

57.2 mm (2.25 in.)

Maximum Diameter:

19.0 mm (0.75 in.)

Net Weight:

31.0 g (1.1 oz) less cable and neck cord
assembly

US649B Dynamic Omni Lavalier Microphone

US649B Dynamic Omni Lavalier Microphone

Electro-Voice®

600 Cecil Street, Buchanan, MI 49107

616/695-6831, 616/695-1304 Fax

©EVI Audio 1999 • Litho in U.S.A.

MICROPHONES—Dynamic Omni Lavalier

Part Number 533307 — 9947